




## Product information G 30 E 3 F grau/grey

Industrial Connecting Solutions:Rectangular Connectors:DIN VDE 0627 / IEC 61984 Connectors (G serie):Cable socket:G 30 E 3 F grau/grey

<http://www.e-catalog.beldensolutions.com/link/57078-24228-256261-24347-24348-36908/en/conf/ui/state>

Name	G 30 E 3 F grau/grey
	
	Panel-mounted socket grey with flange, with solder contacts
<b>Delivery informations</b>	
Availability	available
<b>Product description</b>	
Description	Panel-mounted socket grey with flange, with solder contacts
Type	G 30 E 3 F grau/grey
Order No.	931 782-106
Type of contact	forked spring
Number of contacts	3 + PE
Standard	DIN VDE 0627 / IEC 61984
Housing Color	grey
<b>Technical data</b>	
Rated voltage	AC/DC 250 V
Rated current	10 A
Contact resistance	<= 4 mOhm
Type of termination	solder
Suitable cables	4 mm to 7.5 mm
<b>Material</b>	
Contact surface material	Sn
Contact bearer material	PA
Housing material	PA
<b>Environmental conditions</b>	
Protection class (IEC 60529)	IP 65
Pollution severity	3
Temperature range	-40 °C to +90 °C
<b>Inflammability class</b>	
Housing	94 HB
Contact bearer	94 HB
<b>Approvals</b>	
VDE	VDE
<b>Packing unit</b>	
Packaging unit	100 pieces
<b>Scope of delivery and accessories</b>	
Scope of delivery	1 panel-mounted socket
Accessories to order separately	can be plugged into G 30 KW 3 M; flat gasket G 30 E-1, order no. 732 135-002



# HIRSCHMANN

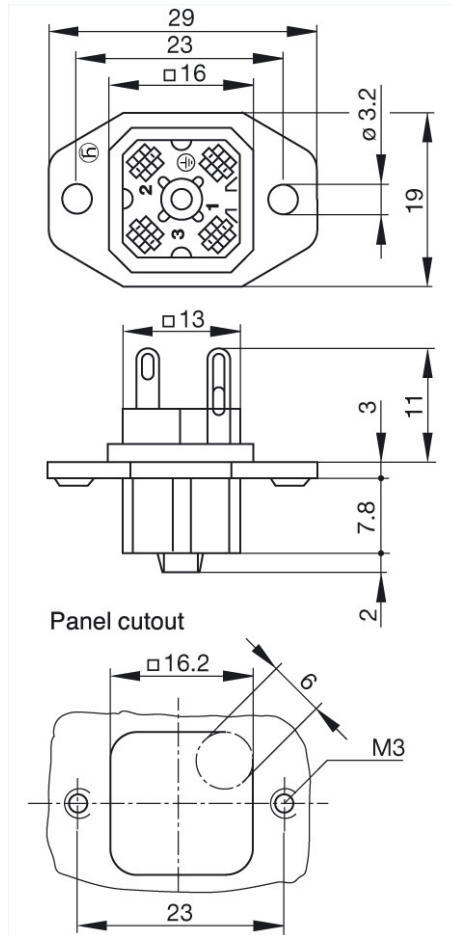
A BELDEN BRAND

Industrial Connecting Solutions:Rectangular Connectors:DIN VDE 0627 / IEC 61984 Connectors (G serie):Cable socket:G 30 E 3 F grau/grey

<http://www.e-catalog.beldensolutions.com/link/57078-24228-256261-24347-24348-36908/en/conf/ui/state>

Picture

Drawing



#### Belden Deutschland GmbH

Im Gewerbepark 2

58579 Schalksmühle

Germany

Phone: +49 7127/14-1806

E-Mail: [icos-sales@belden.com](mailto:icos-sales@belden.com)

The information published in the websites has been compiled as carefully as possible. It is subject to alteration without notice in technical as well as in price-related/commercial respect. The complete information and data were available on user documentation. Mandatory information can only be obtained by a concrete query.